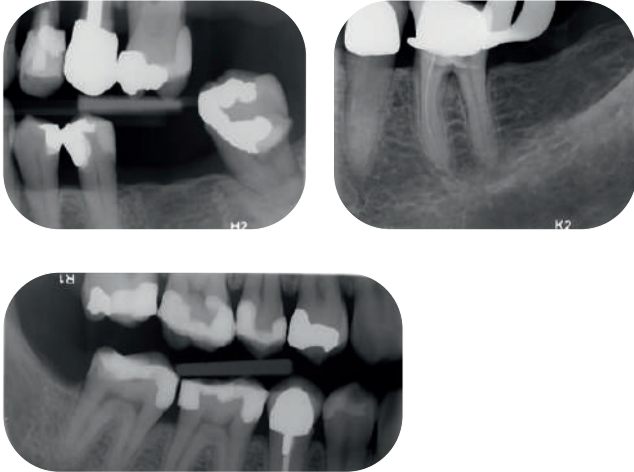


DEXIS Scan eXam™ One
Fast and reliable digital intraoral imaging

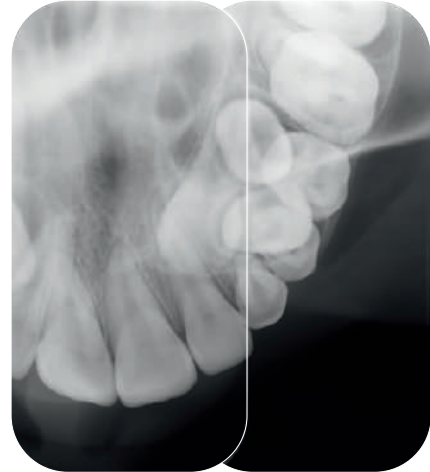


Dental Excellence for every dental practice

Scanning resolution 17 lp/mm. Image bit depth 16 bit.



Optional: Occlusal 4C image.



The perfect One for all intraoral purposes



EXCELLENT IMAGE QUALITY



COVERS A WIDE RANGE
OF YOUR DIAGNOSTIC NEEDS



SUPPORTS OCCLUSAL
4C IMAGE FORMAT



DELIVERS CONSISTENTLY
HIGH QUALITY RESULTS

Advanced intraoral diagnostics

One solution for all needs

Advanced digital image processing provides consistent images time after time. Excellent image quality can already be achieved using factory configurations that can still be adjusted easily according to the dentist's diagnostic preferences.



Speed up your digitalisation

Superb results in an instant

Clear and sharp DEXIS Scan eXam One intraoral images reproduce grey-levels accurately to show the required diagnostic information even in the smallest details. Just insert the imaging plate.



As easy and comfortable as film for the patient.



Easy front-side operation – minimum space requirements.

One matching your needs

Multiple imaging plate sizes are available for DEXIS Scan eXam One can be used in all bitewing, periapical and occlusal X-rays. The plates are as easy and flexible to use as film and are particularly suitable for pediatric patients.

Size 0

22 x 31 mm
734 x 1034 Pixel
1.08 MB

Size 1

24 x 40 mm
800 x 1334 Pixel
1.53 MB

Size 2

31 x 41 mm
1034 x 1368 Pixel
2.03 MB

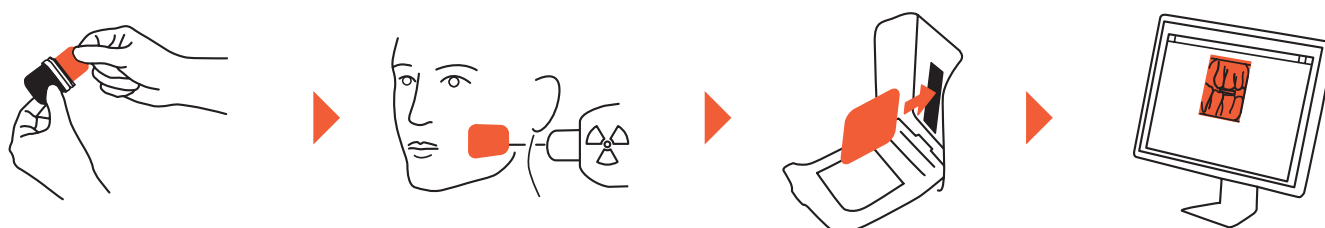
Size 3

27 x 54 mm
900 x 1800 Pixel
2.32. MB



Your workflow

As easy to position as film



Fast and easy workflow

The re-useable imaging plates of the DEXIS Scan eXam One system provide an easy-to-learn and comfortable workflow. The entire process from reading the image to display on screen takes only seconds. The system can be operated in a normal daylight environment, no chemicals needed.

Safe workflow

DEXIS Scan eXam One provides additional workflow security by showing the patient name and user ID on its display. The iDOT™ tracking system on the imaging plates helps trace the one used for an individual X-ray image. Damaged plates can be identified and replaced easily.



One solution for individuals and multiple users

Chairside or shared use

DEXIS Scan eXam One is a perfect choice as your personal chairside X-ray imaging solution. It can also be easily shared with multiple users in a network.

Attractive design

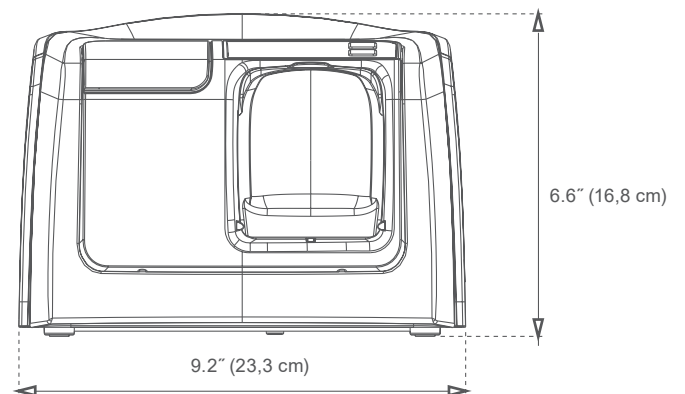
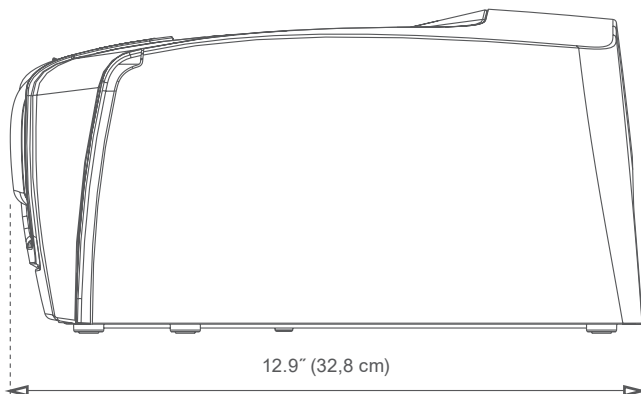
The DEXIS Scan eXam One requires little space and looks great! Select from five colours, whichever matches your practice design.



Technical specifications

Technology	Reuseable imaging plate (Photo Stimulable Phosphor plate)
Pixel size	30 μm / 60 μm , selectable
Scanning resolution	17 lp/mm
Image bit depth	16 bit
Connection	Standard network connection (Ethernet RJ45), DHCP
Dimensions	168 mm x 233 mm x 328 mm
Weight	4 kg (8 lbs)
Operating voltage	100-240 VAC, 50/60 Hz
Operating system	Windows 7, Windows 8.1 or Windows 10

Dimensions



Transforming Practices and Patient Smiles

Designed with ease-of-use for all clinicians in mind, DEXIS now offers dependable and consistent imaging solutions that provide vital information to support accurate diagnosis and predictable treatment planning.



PaloDEx Group Oy Nahkelantie 160, FI-04300 Tuusula, Finland