

Intelligent Machine.
Effortless Production.
Superior Results.



Wet Dental Mill
DWX-42W

by  **Roland**



From in-clinic to dedicated high-production labs, the DWX-42W is engineered to fit your milling needs.

Elevated Performance



6-station Automatic Tool Changer (ATC)

for uninterrupted production



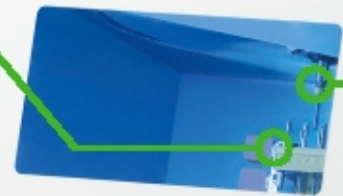
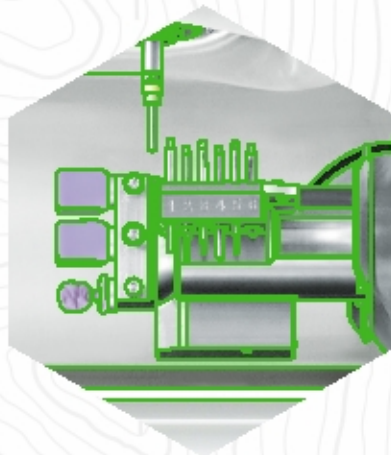
Brand new burs offer **GREATER STABILITY & FINE MILLING QUALITY**



Newly designed **NOZZLES & COOLANT TANK** for greater flow and capacity



50% FASTER than the previous generation DGSHAPE wet mill



DGSHAPE

DWX-42W

DWX-45W

A Mill That Fits Your Needs

High Production Lab

- Expand production by adding a standalone wet-milling option designed for glass ceramic and composite resin materials
- Get the same open architecture flexibility and high-quality performance as DGSHAPE dry mills, in a wet-milling configuration
- On-demand production of high-esthetic, dental prosthetics

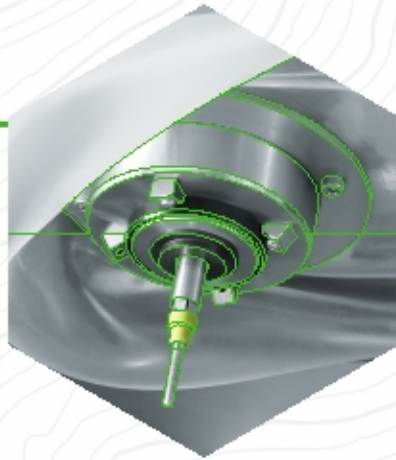
In-Clinic Lab

- Offer your patients a same day service with ultra-accurate prosthetics—produced with an easy-to-operate machine and simplified workflow
- Open architecture allows seamless integration with existing scanning devices
- Designed to combine with the DGSHAPE d-CLINIC solution



Incredibly Accurate, High Aesthetic Restorations

Designed for wet milling glass ceramic and composite resin pin-type materials, to produce high-quality crowns, copings, 3-unit bridges, inlays, onlays and more.



Specially Designed Spindle

▼ **50% LESS**
Air Pressure Needed

Optimum performance with less air pressure and volume



Designed and built by DGSHAPE—using over 35-years of cutting-edge engineering excellence



A robust, all metal spindle offers solid performance and maximum efficiency



Doesn't require a high-volume compressor—perfect for in-clinic labs

Enhanced User Experience



New Ethernet LAN Connectivity

Access your device and manage your milling, anywhere in the lab or office.



Upgraded V-Panel

Complex controls are replaced with an easy interface to monitor milling jobs and tool life.



CAM Software Included

Easy-to-use, open-architecture CAM software accepts all STL files and supports the milling of relevant materials.





Wet Dental Mill **DWX-42W**

Uninterrupted wet milling of up to three different glass ceramic and composite resin pin-types with ultimate precision and accuracy.

Specifications

Millable material	Glass ceramics, composite resin	
Loadable workpiece shape	Width	Maximum 40 mm (1.57 in)
	Depth	Maximum 20 mm (0.79 in)
	Height	Maximum 20 mm (0.79 in)
Operating speed	6 to 1,800 rpm/min. (0.24 to 70.9 in./min.)	
Spindle speed	15,000 to 60,000 rpm	
Rotary axis travel angle	A: ±360°	
Number of burs housed	6	
Attachable bur	Shank diameter: 3 mm, dedicated milling bur	
	Pressure	0.18 to 0.22 MPA
Compatible compressed air	Air Capacity	114 L/min (30 gal) or more
	Tank Capacity	33 L (8.7 gal) or more
Interface	USB, Ethernet (10 BASE-T/100 BASE-TX automatic switching)	
Control command set	RML-1, NC code	
Power requirements	AC 100 to 240 V ± 10%, 50/60 Hz (overvoltage category II, IEC 60664-1), 2.1 A	
Power consumption	Approximately 190 W	
Operating noise	During operation: 70 dB(A) or less (when not cutting), During standby: 48 dB(A) or less	
External dimensions	Width x Depth x Height: 482 x 560 x 600 mm (19.0 x 22.0 x 23.6 in.)	
Weight	61 kg (135 lbs.)	
Installation environment	Indoor use, Altitude: Up to 6,562 ft (2,000m), Temperature: 41 to 82 °F (5 to 28°C), Humidity: 35 to 80%RH (no condensation), Ambient pollution degree: 2 (as specified by IEC 60664-1), Short-term temporary overvoltage: 1,440 V, Long-term temporary overvoltage: 490 V	
Included items	Power cord, USB cable, Dedicated milling burs, Automatic correction jig, Measuring cup, Hexagonal screwdriver, Hexagonal wrench, etc.	

DGSHAPE by Roland

Roland has been at the forefront of advanced machine manufacturing for over 35 years, providing practical and reliable technology with unmatched service and support. DGSHAPE by Roland further delivers on this reliability promise but also improves user experience, making it incredibly easy for labs to produce high quality, cost effective dental prosthetics while improving workflow efficiencies.

Peace of Mind, Reliability and Support

The DWX-42W offers unmatched reliability and post-sales support that includes Roland Care Premium with a two-year warranty. We also provide online video, educational support and certified service engineers to keep your machine running smoothly.



Find out more about wet dental milling at rolanddga.com/DWX-42W

Get social with us.



Roland*

FOR MORE INFORMATION OR TO FIND A DEALER NEAR YOU, CALL 800-542-2307 OR VISIT WWW.ROLANDDGA.COM/DWX42W
 ROLAND DGA CORPORATION | 15363 BARRANCA PARKWAY | IRVINE, CALIFORNIA 92618-2216 | 800.542.2307 | 949.727.2100
 RDGA-DWX42W-1 February 2018

Roland DGA's international ISO certifications are your assurance of our commitment to quality products and service | Roland DGA Corp. has licensed the NMP® technology from the TPL Group.